

STANDARD PRODUCT



Date: 06/04/2009

Prepared For: Production

DC MOTOR

Model Number: MMP D40 Brushed DC Motor

Basic Features & Options:

4.0" Diameter Frame, Brushed DC Motor

Available with Windings for 12V, 24V, 36V, 48V, 60V, 72V 90V and 120V DC Inputs

Planetary Gearheads available ranging from 3:1 to 2500:1 Ratios and 600 Nm (5310 In Lbs) Peak Torque

Integral Optical Encoders and Failsafe Brakes are available

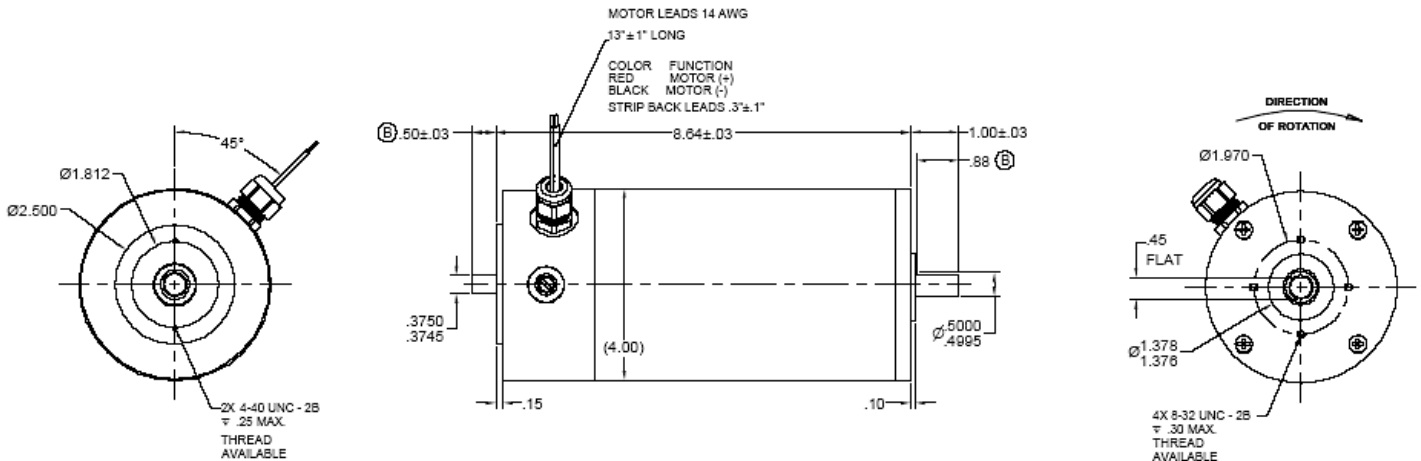
Compatible Motor Speed Controls, Servo Amplifiers, and DC Power Supplies Available.

Model Number	Cont. Stall Torque oz-in (Nm)	Max. Peak Stall Torque++ oz-in (Nm)	Max. Recommend Speed RPM	Rated Power♣ Watts	Motor Inertia oz-in-sec ² (Kg-cm ²)	Length L Inch (mm)	Weight Lb (Kg)
MMP D40-565	250 (1.77)	1200 (8.47)	3000	555	0.160 (11.299)	5.65 (143.5)	10.0 (4.54)
◇ MMP D40-665	420 (2.97)	1984 (14.01)	3000	932	0.240 (16.949)	6.65 (168.9)	13.0 (5.90)
MMP D40-765	550 (3.88)	2480 (17.51)	3000	1220	0.300 (21.186)	7.65 (194.3)	15.0 (6.80)
◇ MMP D40-865*	640 (4.52)	3040 (21.47)	3000	1420	0.370 (26.129)	8.65 (219.7)	17.0 (7.7)

*Shown Below:

◇ Stock Items

♣ Output Power for intermittent duty



++ All Peak Torque Values are dependent upon duty. Kindly consult our Sales Offices for further details

MIDWEST MOTION PRODUCTS

Design, Manufacturing & Distribution – Motion Control Equipment

10761 Ahern Avenue S. E. Watertown, MN. 55388

Phone: 952-955-2626 Fax: 480-247-4096

www.midwestmotion.com

email: sales@midwestmotion.com