

**STANDARD PRODUCT**



**Date:** 06/04/2009

**Prepared For:** Production

DC MOTOR

**Model Number:** MMP D33 Brushed DC Motor

**Basic Features & Options:**

3.13" Diameter Frame, Brushed DC Motor

Available with Windings for 12V, 24V, 36V, 48V, 60V, 72V 90V and 120V DC Inputs

Planetary Gearheads available ranging from 3:1 to 2500:1 Ratios and 600 Nm (5310 In Lbs) Peak Torque

Integral Optical Encoders and Failsafe Brakes are available

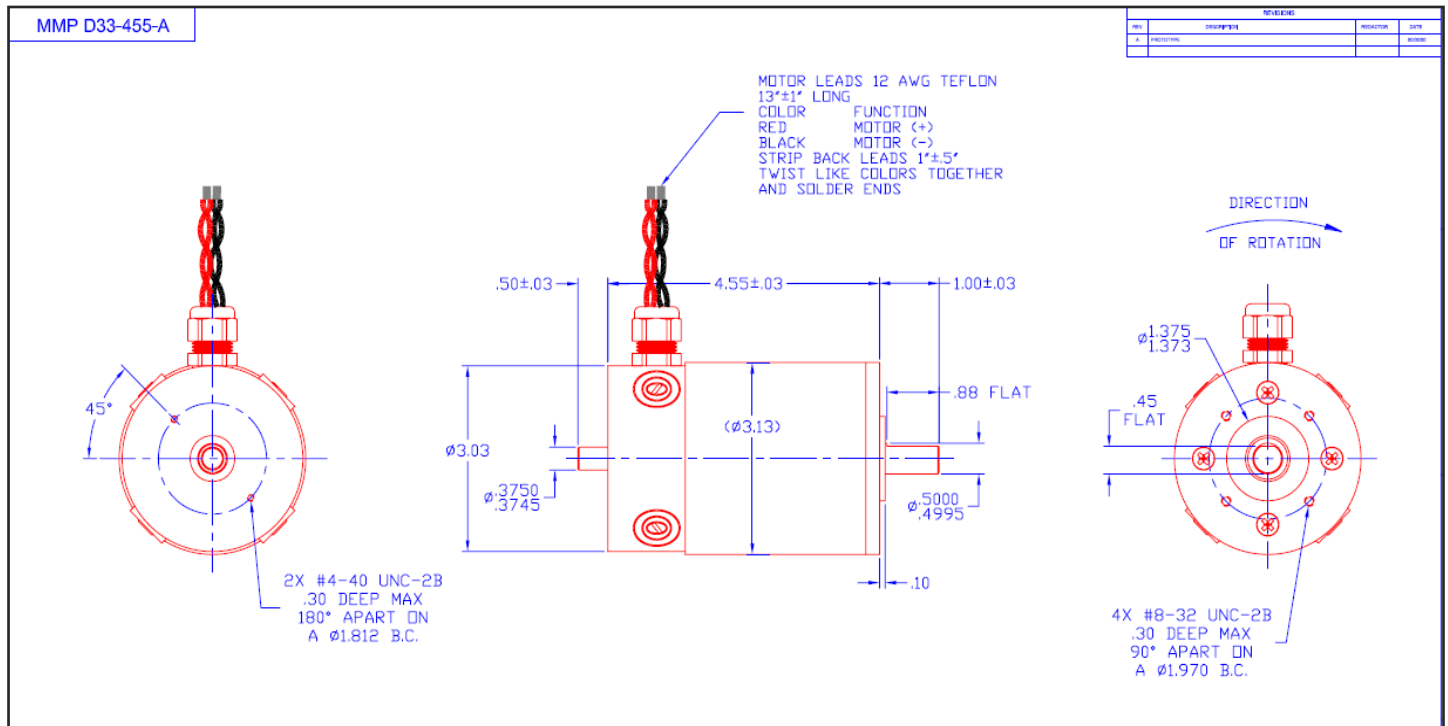
Compatible Motor Speed Controls, Servo Amplifiers, and DC Power Supplies Available.

Model Number	Stall Torque <i>oz-in (Nm)</i>	Peak Torque++ <i>oz-in (Nm)</i>	Max. Recommend Speed RPM	Rated Power♣ Watts	Motor Inertia <i>oz-in-sec<sup>2</sup> (Kg-cm<sup>2</sup>)</i>	Length L <i>Inch (mm)</i>	Weight <i>Lb (Kg)</i>
<b>MMP D33-324</b>	60 (0.42)	480 (3.39)	4000	178	0.010 (0.706)	3.24 (82.3)	4.0 (1.8)
◇ <b>MMP D33-455*</b>	100 (0.71)	850 (6.00)	4000	296	0.020 (1.412)	4.55 (115.6)	5.3 (2.4)
<b>MMP D33-524</b>	135 (0.95)	1199 (8.47)	4000	399	0.025 (1.766)	5.24 (133.1)	7.5 (3.4)
<b>MMP D33-624</b>	175 (1.24)	1250 (8.83)	4000	518	0.040 (2.825)	6.24 (158.5)	9.0 (4.1)

\*Shown Below:

◇ Stock Items

♣ Output Power for intermittent duty



++ All Peak Torque Values are dependent upon duty. Kindly consult our Sales Offices for further details

**MIDWEST MOTION PRODUCTS**

**Design, Manufacturing & Distribution – Motion Control Equipment**

10761 Ahern Avenue S. E. Watertown, MN. 55388

Phone: 952-955-2626 Fax: 480-247-4096

www.midwestmotion.com

email: sales@midwestmotion.com