

STANDARD PRODUCT



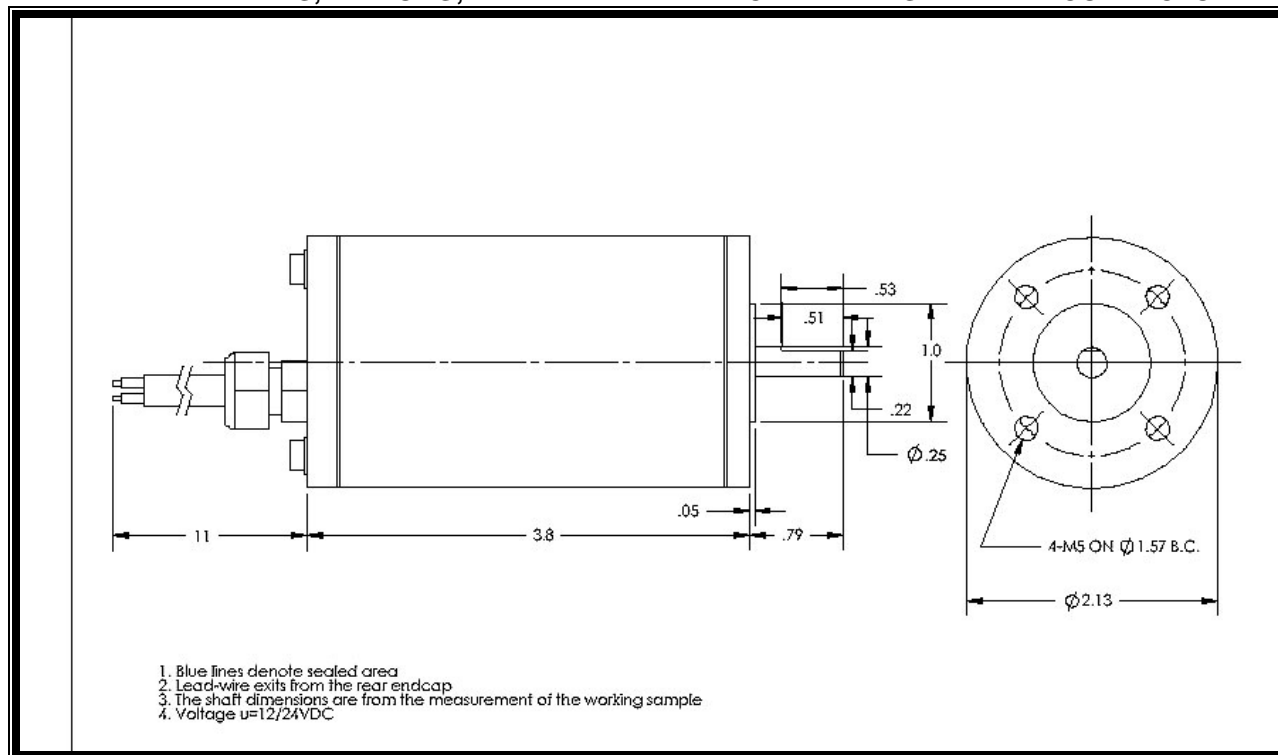
Date: 05/14/2007

Prepared for: Production

Customer: TBD

Model Number: MMP TM55-48V

TWIN LEADWIRES, 11" LONG, EXIT THE REAR END CAP VIA A "SEAL-TITE" CONNECTOR



D.C. MOTOR PERFORMANCE PARAMETERS	Value	Units	Tolerance
RATED VOLTAGE D.C.	48.0	VOLTS	----
RATED CONTINUOUS CURRENT	1.8	AMPERE	----
RATED CONTINUOUS TORQUE	23.0	OZ - IN	----
RATED SPEED	4600	RPM	+/- 15%
RATED CONTINUOUS POWER OUT	78	WATTS	+/- 15%
NO LOAD SPEED	5000	RPM	MAX
NO LOAD CURRENT	0.31	AMPS	MAX
BACK EMF CONSTANT	9.6	V/KRPM	+/- 10%
TORQUE CONSTANT	13.0	OZ -IN / A	+/- 10%
DC ARMATURE RESISTANCE AT 1.5 AMPS	2.8	OHMS	+/- 15%
ARMATURE TEMP	155	DEGR. C	MAX
PEAK TORQUE	120	OZ - IN	----

MIDWEST MOTION PRODUCTS

Design, Manufacturing & Distribution – Motion Control Equipment

10761 Ahern Avenue S. E. Watertown, MN. 55388

Phone: 952-955-2626 Fax: 480-247-4096

www.midwestmotion.com

email: randy@midwestmotion.com