

STANDARD PRODUCT



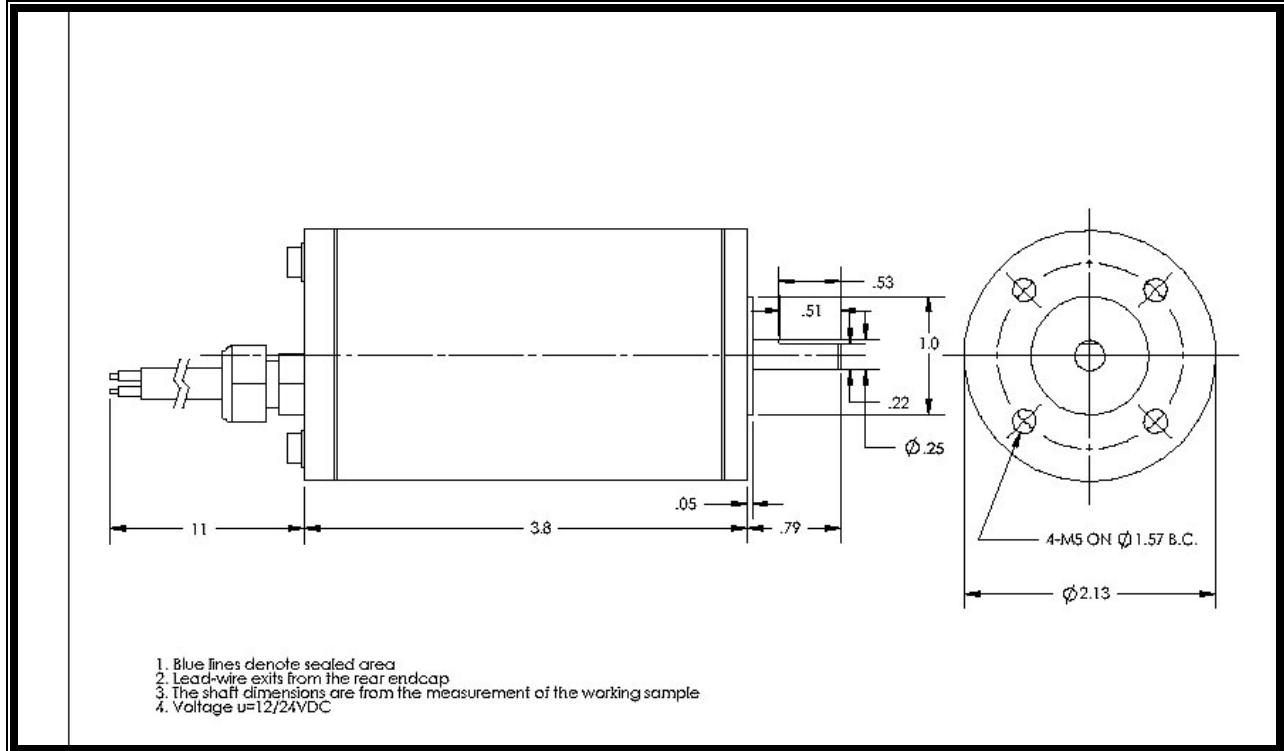
Date: 05/25/2006

Prepared for: Production

Customer: TBD

Model Number: MMP TM55-24V

TWIN LEADWIRES, 11" LONG, EXIT THE REAR END CAP VIA A "SEAL-TITE" CONNECTOR



MOTOR PERFORMANCE PARAMETERS	Value	Units	Tolerance
RATED VOLTAGE D.C.	24.0	VOLTS	----
RATED CURRENT	3.5	AMPERE	----
RATED TORQUE	23.0	OZ - IN	----
RATED SPEED	4600	RPM	+/- 15%
RATED CONTINUOUS POWER OUT	85	WATTS	+/- 15%
NO LOAD SPEED	5000	RPM	MAX
NO LOAD CURRENT	0.77	AMPS	MAX
BACK EMF CONSTANT	4.8	V/KRPM	+/- 10%
TORQUE CONSTANT	6.5	OZ - IN / A	+/- 10%
DC ARMATURE RESISTANCE AT 1.5 AMPS	0.77	OHMS	+/- 15%
ARMATURE TEMP	155	DEGR. C	MAX
PEAK TORQUE	120	OZ - IN	----

Design, Manufacturing & Distribution – Motion Control Equipment

10761 Ahern Avenue S. E. Watertown, MN. 55388

Phone: 952-955-2626 Fax: 480-247-4096

www.midwestmotion.com

email: randy@midwestmotion.com