

**STANDARD PRODUCT**



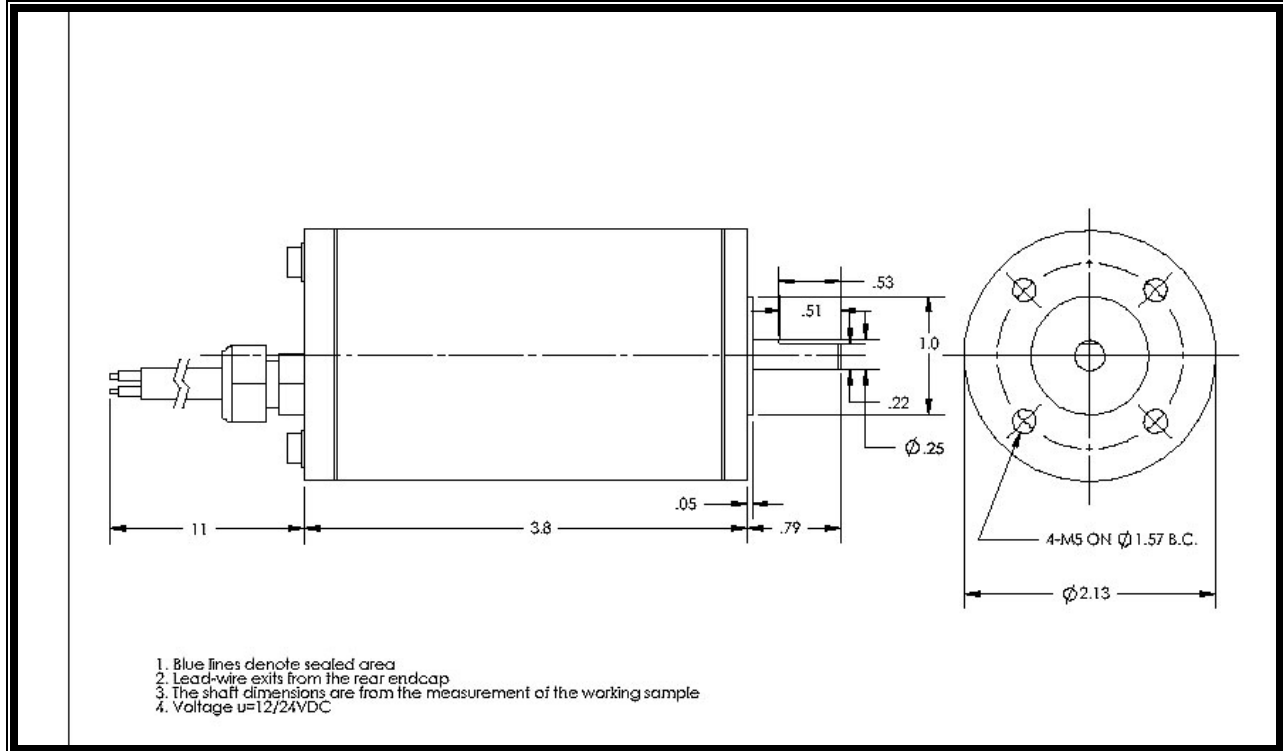
**Date:** 05/25/2006

**Prepared for:** Production

**Customer:** TBD

**Model Number:** MMP TM55-12V

**TWIN JACKETED LEADWIRES, 11" LONG EXIT THE REAR END CAP VIA A "SEAL-TITE" CONNECTOR**



<b>MOTOR PERFORMANCE PARAMETERS</b>	<b>Value</b>	<b>Units</b>	<b>Tolerance</b>
RATED VOLTAGE D.C.	<b>12.0</b>	VOLTS	----
RATED CURRENT	<b>7.2</b>	AMPERE	----
RATED TORQUE	<b>23.0</b>	OZ - IN	----
RATED SPEED	<b>4600</b>	RPM	+/- 15%
RATED CONTINUOUS POWER OUT	<b>78</b>	WATTS	+/- 15%
NO LOAD SPEED	<b>5000</b>	RPM	MAX
NO LOAD CURRENT	<b>1.56</b>	AMPS	MAX
BACK EMF CONSTANT	<b>2.4</b>	V/KRPM	+/- 10%
TORQUE CONSTANT	<b>3.2</b>	OZ - IN / A	+/- 10%
DC ARMATURE RESISTANCE AT 1.5 AMPS	<b>0.50</b>	OHMS	+/- 15%
ARMATURE TEMP	<b>155</b>	DEGR. C	MAX
PEAK TORQUE	<b>120</b>	OZ - IN	----

**Design, Manufacturing & Distribution – Motion Control Equipment**

10761 Ahern Avenue S. E. Watertown, MN. 55388

Phone: 952-955-2626 Fax: 480-247-4096

[www.midwestmotion.com](http://www.midwestmotion.com)

email: [randy@midwestmotion.com](mailto:randy@midwestmotion.com)