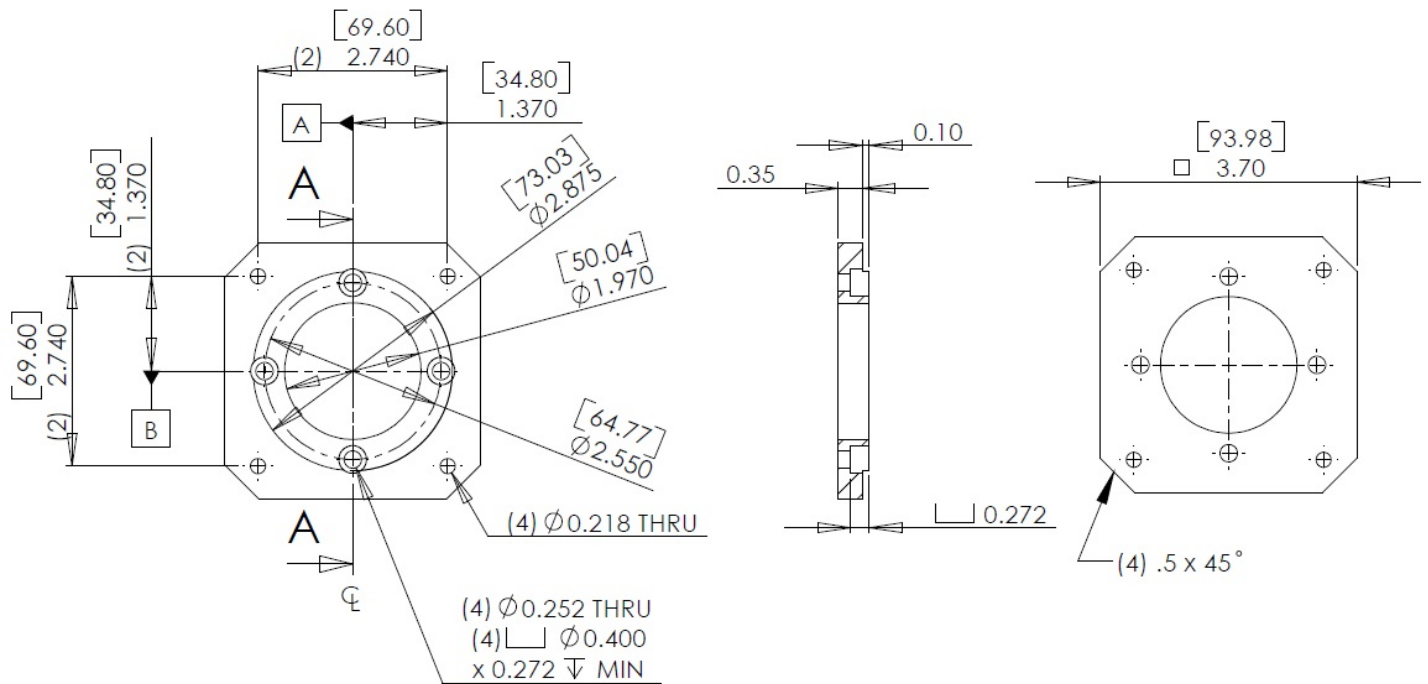


NEMA 34 SQUARE FLANGE



TO DESIGNATE THIS OPTION, ADD SUFFIX: "-FL34" TO THE END OF THE PART NUMBER.

PLEASE NOTE: THIS FLANGE IS AN ADD-ON OPTION. SUBSEQUENTLY, THE OVERALL LENGTH OF THE OUTPUT SHAFT WILL BE REDUCED BY THE THICKNESS OF THE FLANGE. (0.450")

MIDWEST MOTION PRODUCTS

Design, Manufacturing & Distribution - Motion Control Equipment

10761 Ahern Ave SE Watertown, MN 55388

Phone: 952-955-2626 Fax: 480-247-4096

www.midwestmotion.com email: sales@midwestmotion.com